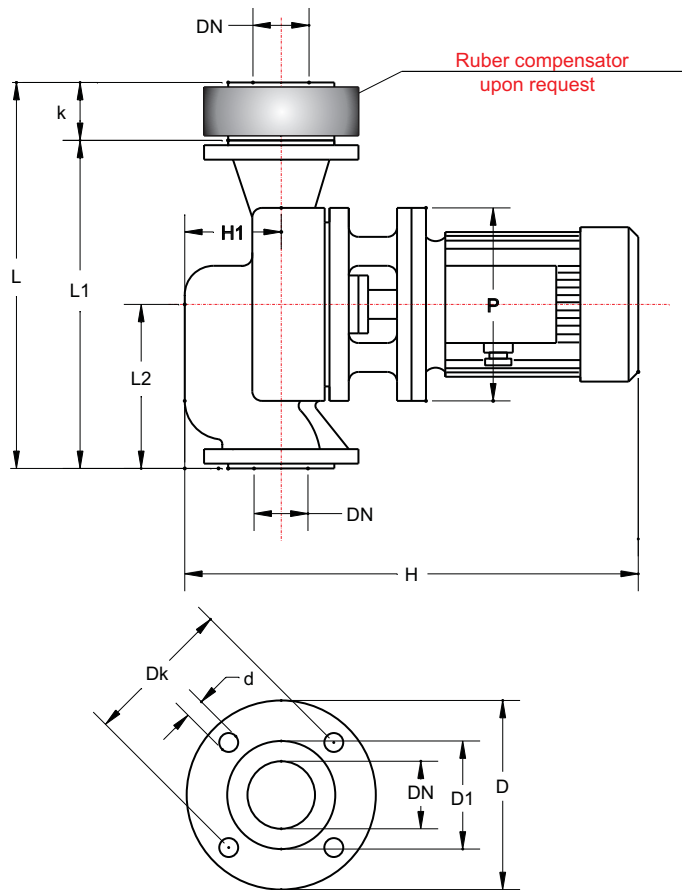


# Cirkulator Pumps with flange

## Inline pumps



Flange NP 6 - DIN 2531					Measurements							
DN	D	D1	Dk	n x d	L	L1	L2	k	DN	H	H1	P
	mm			No. x mm	mm							
50	140	90	110	4 x 14	270	220	115	50	50	381	70	160

Pump Type	Motor Data			
	Type	kW	A	r.p.m
CP50-1A	1ZK71B4	0,37	1,2	1380
CP50-1	1ZK71B4	0,37	1,2	1380
CP50-2	1ZK71B4	0,37	1,2	1380
CP50-3	1ZK71A4	0,25	0,85	1400

## Comprex CP50 - 1450 r.p.m

Temperature Range : -20 to +140 °C

System pressure: NP 6 (bar)

Materials:

For temperatures up to + 90 °C:

Cast iron, stainless steel

Mechanical seal: Carbon / Ceramic.

For temperatures above +90 °C:

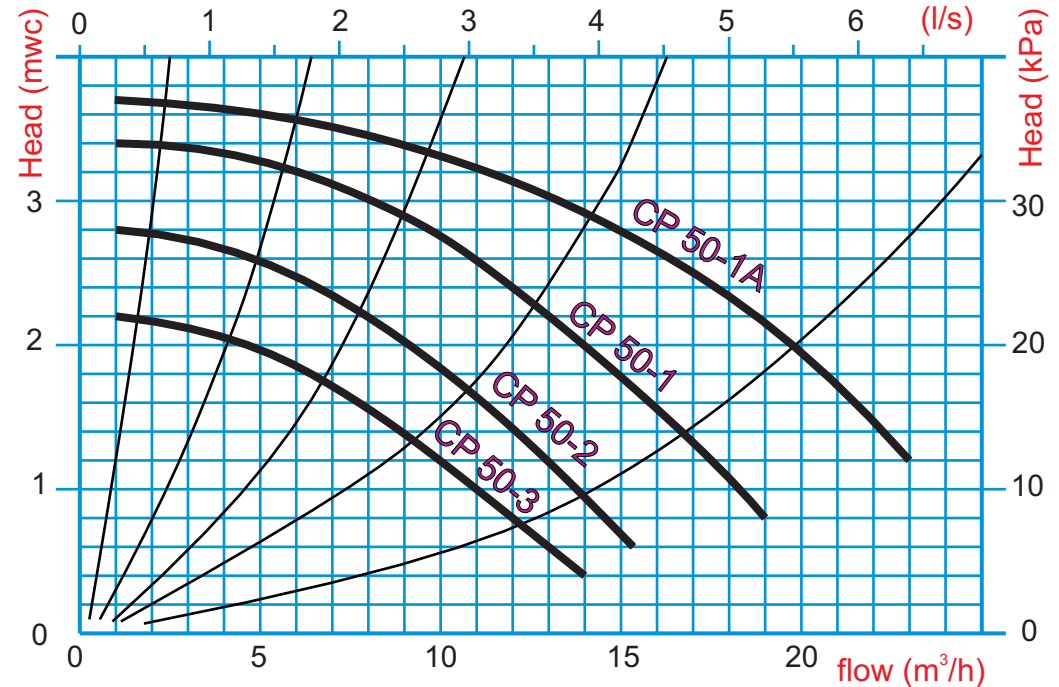
Cast iron, stainless steel and bronze.

Mechanical seal: SiC / SiC / Viton.

Allowed fluids:

Domestic or industrial water without abrasive

Heating water to VDI 2035



Type testing of pumps is made at the Institute for Hydraulic Machines faculty of Mechanical Engineering in Belgrade, in accordance with the recommendations of DIN 1944 and ISO 2548th. Report number: 06-01-03/95