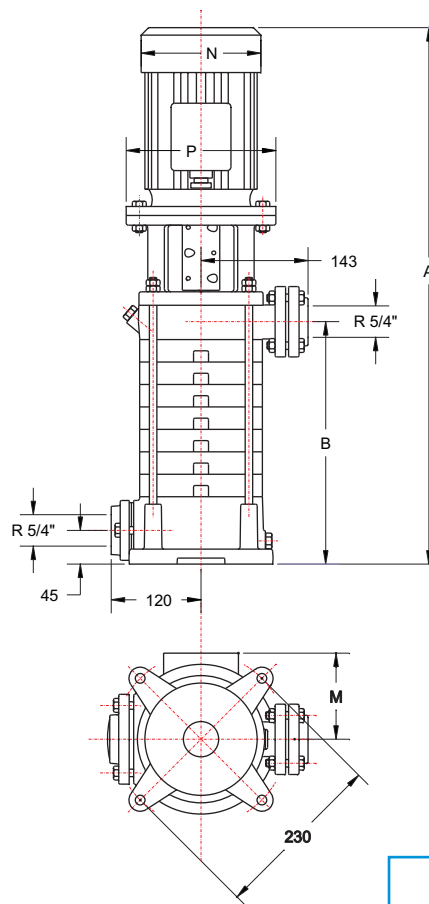
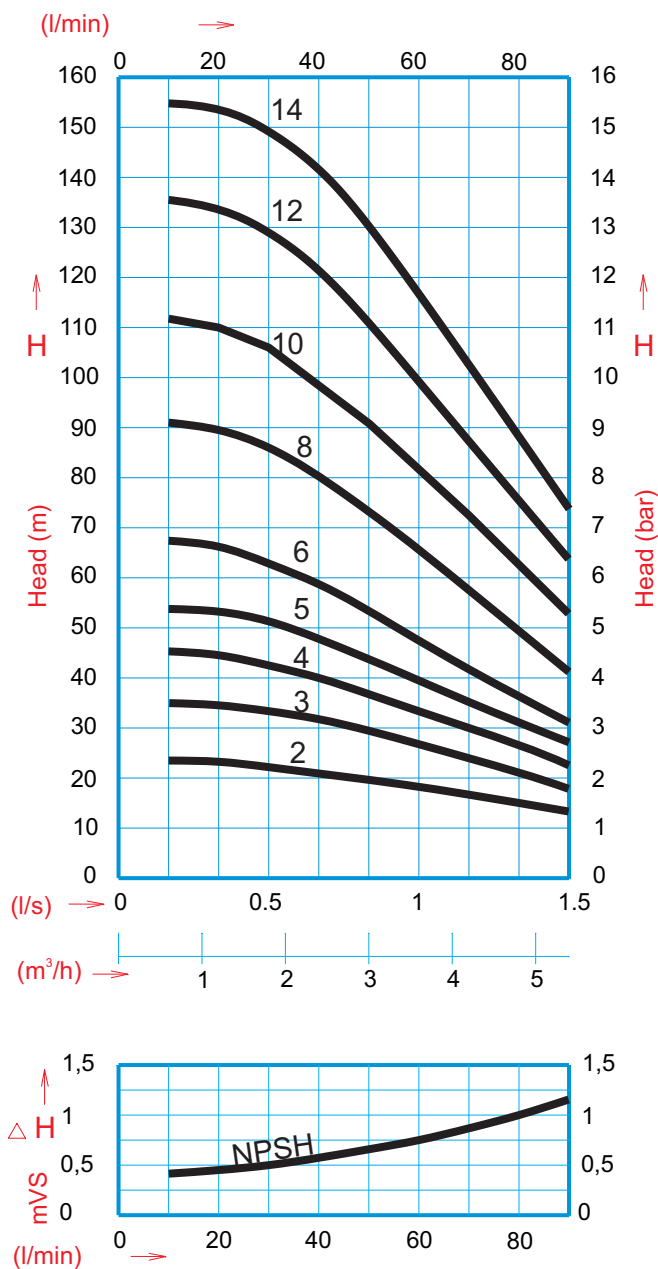


VERTICAL MULTISTAGE PUMP

Comprex VVP 1



Application:

Water supply for drinking and sanitary water.
Cooling and heating systems with fluid from -20 to +140 °C.

Materials:

For temperatures up to + 90 ° C:
Cast iron, stainless steel and noril
Mechanical seal: Carbon / Ceramic.

For temperatures above +90 ° C:
Cast iron, stainless steel and bronze.
Mechanical seal: SiC / SiC / Viton.

Pump type	Motor Data		Measurements (mm)				
	Type	kW	A	B	P	M	N
VVP 1/2	80 A-2	0,75	520	144	200	110	154
VVP 1/3	80 A-2	0,75	550	174	200	110	154
VVP 1/4	80 B-2	1,1	580	204	200	110	154
VVP 1/5	80 B-2	1,1	610	234	200	110	154
VVP 1/6	80 S-2	1,5	663	264	200	113	170
VVP 1/8	80 S-2	1,5	723	324	200	113	170
VVP 1/10	80 L-2	2,2	808	384	200	113	170
VVP 1/12	80 L-2	2,2	868	444	200	113	170
VVP 1/14	100 L-2	3	970	504	250	133	193

Type testing of pumps is made at the Institute for Hydraulic Machines, faculty of Mechanical Engineering in Belgrade, in accordance with the recommendations of DIN 1944 and ISO 2548th. Report number: 06-01-03/95