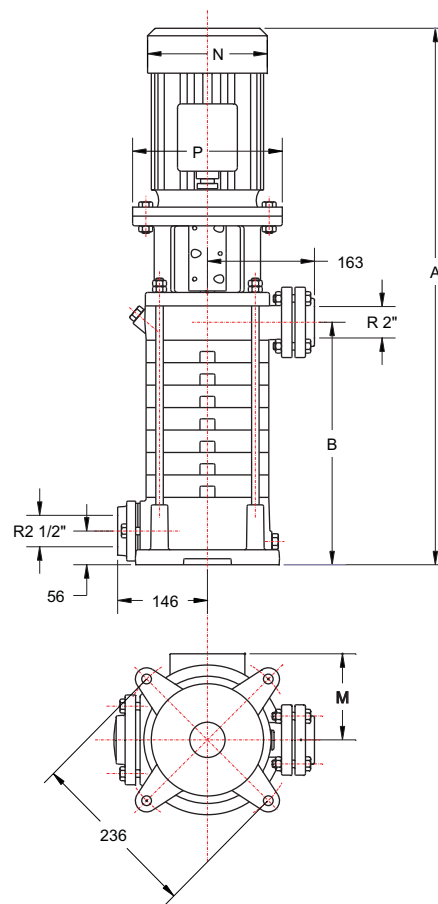
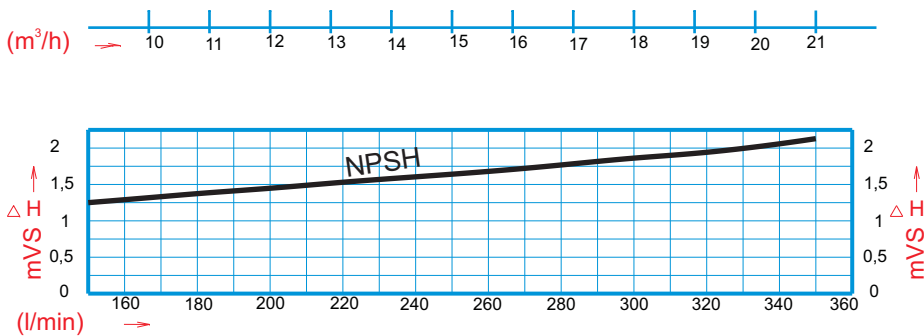
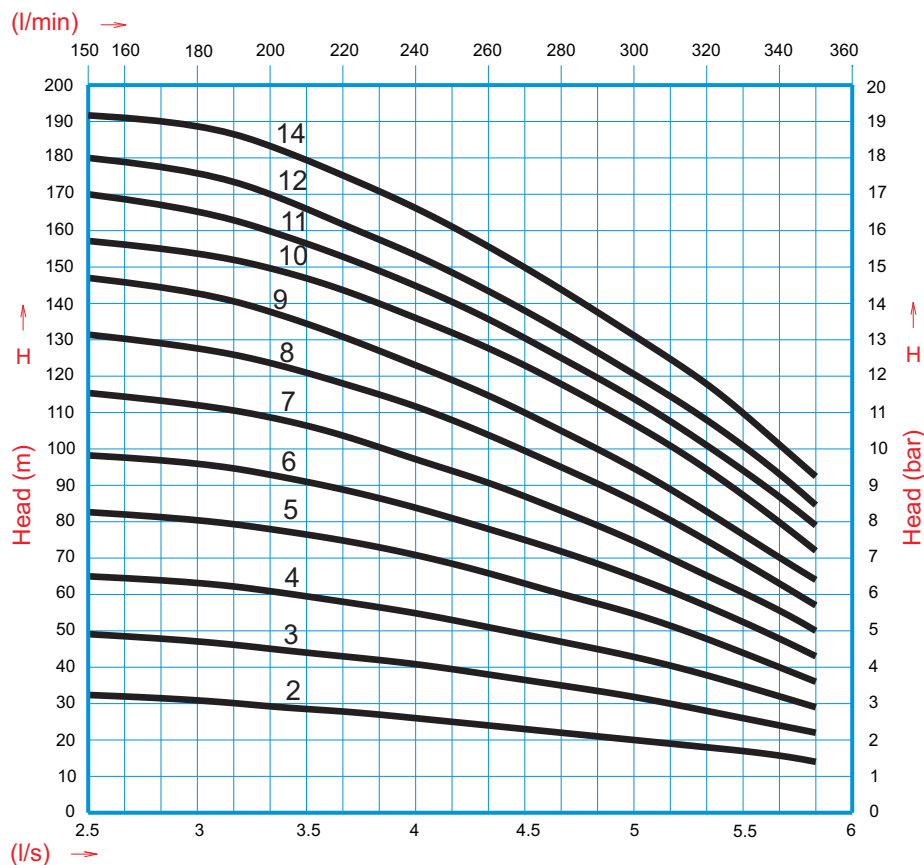


VERTICAL MULTISTAGE PUMP Comprex VVP 5



Application:

Water supply for drinking and sanitary water. Cooling and heating systems with fluid from -20 to +140 °C.

Materials:

- For temperatures up to + 90 ° C:
Cast iron, stainless steel and noril
Mechanical seal: Carbon / Ceramic.
- For temperatures above +90 ° C:
Cast iron, stainless steel and bronze.
Mechanical seal: SiC / SiC / Viton.

Pump type	Motor Data		Measurements (mm)				
	Type	kW	A	B	P	M	N
VVP 5/2	100 L-2	3	684	175	250	133	193
VVP 5/3	100 L-2	3	724	215	250	133	193
VVP 5/4	112 M-2	4	774	255	250	145	218
VVP 5/5	132 Sk-2	5,5	875	295	300	190	247
VVP 5/6	132 Sk-2	5,5	915	335	300	190	247
VVP 5/7	132 S-2	7,5	993	375	300	190	247
VVP 5/8	132 S-2	7,5	1033	415	300	190	247
VVP 5/9	160 Mk-2	11	1183	455	350	208	318
VVP 5/10	160 Mk-2	11	1223	495	350	208	318
VVP 5/11	160 Mk-2	11	1263	535	350	208	318
VVP 5/12	160 Mk-2	11	1303	575	350	208	318
VVP 5/14	160 M-2	15	1427	655	350	208	318

Type testing of pumps is made at the Institute for Hydraulic Machines, faculty of Mechanical Engineering in Belgrade, in accordance with the recommendations of DIN 1944 and ISO 2548th. Report number: 06-01-03/95